

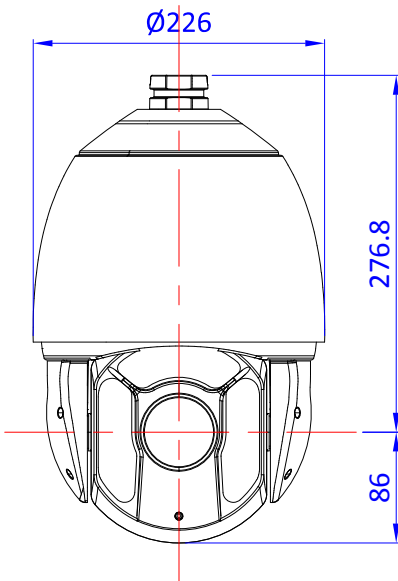
Ultra Performance H.265 HD IP IR PTZ Camera with HVE



Overview

- 2MP, 1/1.9" **Ultra Low Light** HD IP IR PTZ Camera
- 1/1.9" Sony CMOS Sensor
- Optical x36, x30 & Digital x32
- DSS On : 0.0375 Lux @ Color, 0.002 Lux @ B/W
- Day & Night / DE-FOG / Image Stabilization
- 8 Masks with Spherical Coordinate
- The Shortest Path with Vector Drive Technology
- Micro Control(0.1°/SEC.) with Micro Stepping Control Technology
- 255 Presets / 4 Patterns / 1 Auto Pan / 8 Groups
- Simultaneous CVBS Output
- RS-485 for Easy PTZ Control
- 2 Sensor Inputs & 1 Alarm Output
- Intelligent IR LED Control
- IR LED Distance 350m
- Triple Streaming : H.265, H.264, M-JPEG
- MAX. 30FPS @ All Resolutions
- Two Way Audio
- **HVE(Hardware Video Enhancer)**

Dimension



Specification

Model	HIP-AZ236IRWLH	HIP-AZ230IRWLH	HIP-AZ230IRWH	HIP-AZ220IRWH
Camera				
Image Sensor	1/1.9" Sony CMOS Sensor		1/3" Panasonic CMOS Sensor	
Total Pixel	2,120K Pixels			
Zoom	Optical x36, Digital x32	Optical x30, Digital x32	Optical x30, Digital x32	Optical x20, Digital x32
Video Signal-to-Noise	More than 50 dB			
Focal Length	F1.5 ~ F4.8, f=6mm ~ 216mm	F1.5 ~ F4.3, f=6mm ~ 180mm	F1.6 ~ F4.7, f=4.3mm ~ 129mm	F1.5 ~ F3.5, f=5.2mm ~ 104mm
Angle of View	H : 56.5°(Wide) ~ 2.12°(Tele), V : 33.63°(Wide) ~ 1.19°(Tele)	H : 61.2°(Wide) ~ 2.32°(Tele), V : 35.7°(Wide) ~ 1.31°(Tele)	H : 58.9°(Wide) ~ 2.11°(Tele), V : 45.3°(Wide) ~ 1.61°(Tele)	H : 56.4°(Wide) ~ 3.1°(Tele), V : 33.5°(Wide) ~ 1.7°(Tele)
MIN. Illuminance	DSS Off : 0.15 Lux @ Color, 0.01 Lux @ B/W DSS On : 0.0375 Lux @ Color, 0.002 Lux @ B/W		DSS Off : 0.5 Lux @ Color, 0.1 Lux @ B/W DSS On : 0.125 Lux @ Color, 0.025 Lux @ B/W	
Day & Night	Auto / Day / Night(ICR)			
Focus	Auto / Manual			
AE Mode	Auto / Iris / Shutter / Manual / Bright			
White Balance	Auto / Indoor / Outdoor / Manual(Red, Blue Gain Adjustable)			
BLC	On / Off			
WDR	On / Off			
DE-FOG	On / Off			
Aperture	Adjustable			
Noise Reduction	Yes			
Image Stabilization	On / Off			
Privacy Mask	8 Masks, Spherical Coordinate			
Pan/Tilt Range	Pan : 360°(Endless) / Tilt : -10°~90° Preset : 240°/SEC.			
Pan/Tilt Speed	Manual : 0.1°~240°/SEC.(Proportional to Zoom) Swing : 1°~90°/SEC.			
Preset	255 Presets			
Pattern	4 Patterns [768 Commands(Approximate 5 Minutes)/Pattern]			
Auto Pan	1 Auto Pan			
Group	8 Groups (MAX. 16 Actions with The Combination of Preset)			
Other Functions	Auto Flip, Auto Parking, Power-up Action and Others			
Extra Video Output	CVBS 1Vp-p(NTSC or PAL)			
Communication	RS-485			
Protocol	Pelco-D			
OSD	English			
Sensor Input	2 Inputs, Photo-Coupler Type			
Alarm Output	1 Output, Relay Output, MAX. Load DC 24V, 1A / AC 125V, 0.5A			
Audio I/O	Mono Jack, Line In/Out			
Network Interface	Ethernet 10/100 Base-T (RJ-45)			
Memory Slot	Micro SD			
IR LED Wave Length	850nm			
IR LED Distance	350m			
IR LED Brightness	Auto(Proportional to Zoom) / Manual(Off~127)			
Illumination Sensor	CDS Sensor			
Operating Temperature	-20°C ~ 50°C / -4°F ~ 122°F			
Dimension	226(Ø) x 362.8(H) [mm] / 8.9(Ø) x 14.3(H) ["] / Without a Bracket			
Weight	7 kg / 15.5 lb / Without a Bracket			
Input Power	DC 12V, 3.5A			
Network				
System OS	Embedded Linux			
Protocol	TCP/IP, UDP/IP, RTP, RTSP, RTCP, NTP, HTTP, DHCP, FTP, SMTP, DNS, DDNS			
ONVIF	Support			
DDNS	Support			
Simultaneous User Access	MAX. 10 Users			
Video Compression Format	H.265, H.264, M-JPEG			
Video Resolution	1920x1080, 1280x1024, 1280x960, 1280x720, 1024x768, 640x480, 320x240			
Video Frame Rate	MAX. 30FPS @ All Resolutions			
Video Quality Control	H.265 & H.264 : Bitrate Control / M-JPEG : Quality Level Control			
Video Streaming	Triple Stream (Stream 1, 2, 3), RTP/RTSP, Unicast RTP, Multicast RTP			
Audio Compression Format	G.711 u-Law			
Audio Streaming	Two Way			
Web Browser OS	Windows 7, 8, 10			
Web Browser Manager	IE11, Firefox, Safari, Opera			
Web Browser Viewer	IE11 or Higher (Active-X)			

Specification & Design are subject to change without prior notice.



Ultra Performance FPGA-based HVE (Hardware Video Enhancer)

1) Night Vision Enhancement



OFF



ON

2) De-Fog Enhancement



OFF



ON